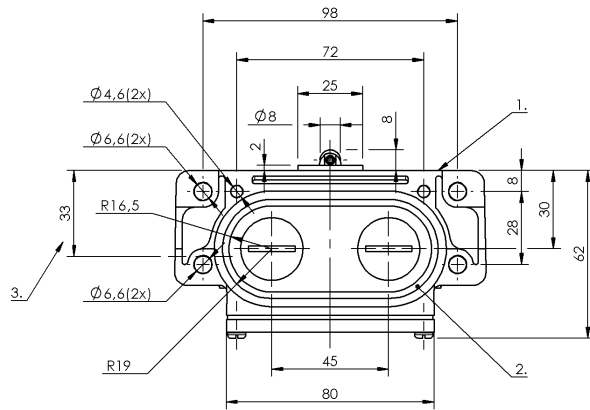
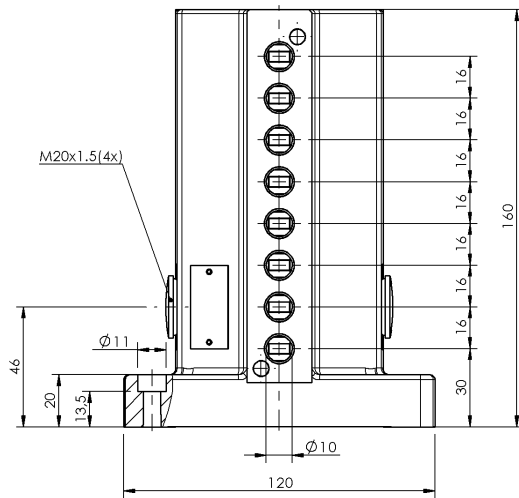


Mechanical Cam Switches  
**BNS 819-D08-R16-62-10**  
 Order Code: BNS01MF

**BALLUFF**



1) Reference edge, 2) Sealing ring, 3) Cable passage



**Basic features**

|                     |                                  |
|---------------------|----------------------------------|
| Approval/Conformity | CE<br>UKCA<br>CCC<br>WEEE        |
| Basic standard      | IEC 60947-5-1                    |
| Operating principle | 1-8. Switch position: Mechanical |
| Version             | Snap contact                     |

**Display/Operation**

|                    |                            |
|--------------------|----------------------------|
| Function indicator | 1-8. Switch position: None |
|--------------------|----------------------------|

**Electrical connection**

|                 |                                      |
|-----------------|--------------------------------------|
| Connection type | 1-8. Switch position: Screw terminal |
|-----------------|--------------------------------------|

**Electrical data**

|                               |  |
|-------------------------------|--|
| Continuous current            | 1-8. Switch position: 6 A  |
| Rated operating voltage Ue    | 1-8. Switch position: 250 V AC   |
| Switching function mechanical | galvanically isolated<br>One NO and one NC<br>Dual changeover<br>Double-interrupting |
| Switching rate                | 1-8. Switch position: 300/min  |

**Environmental conditions**

|                     |            |
|---------------------|------------|
| Ambient temperature | -5...85 °C |
| IP rating           | IP67       |

**Functional safety**

|                       |                                    |
|-----------------------|------------------------------------|
| B10d (EN ISO 13849-1) | BSE 30.0: 30 mil. switching cycles |
|-----------------------|------------------------------------|

**Material**

|                                      |  |
|--------------------------------------|--|
| Housing material                     | Aluminium, Anodized                          |
| Housing material, surface protection | Anodized                                     |
| Material contacts                    | 1-8. Switch position: Silver, gold plated    |
| Plunger material                     | 1-8. Switch position: 1.4034 stainless steel |

**Mechanical data**

|                                     |  |
|-------------------------------------|--|
| Approach direction                  | longitudinal, parallel to attachment surface       |
| Approach speed                      | 1-8. Switch position: 60 m/min                     |
| Dimension                           | 120 x 160 x 62 mm                                  |
| Distance cam - reference edge       | 1-8. Switch position: 4.50...5.00 mm               |
| Flange, feed-through                | 2 threaded exit M20                                |
| Installation                        | Vertical   |
| Life expectancy mechanical          | 1-8. Switch position: 30 mil. switching operations |
| Number of switching positions       | 8x Roller Mechanical                               |
| Plunger spacing 1st switch position | 30 mm  |
| Plunger style                       | 1-8th switch position: Roller                      |
| Switch actuation force              | 1-8. Switch position: 20 N                         |
| Switching element                   | 1-8. Switch position: BSE 30.0                     |

Range/Distance

Reproducibility  
Switch position spacing

1-8. Switch position:  $\pm 0.01$  mm  
16 mm

## Wiring Diagrams

BSE 30.0

